

**AQUAGEM**

www.fairlandgroup.com  
Email: sales@aquagem.com.cn  
Tel: 0086-20-37814527  
Address: 5th Floor, C6 Building, Nanlong Industrial Zone, Panyu District,  
Guangzhou City, Guangdong Province, China



FAIRLAND GROUP LIMITED

**AQUAGEM**

# Swim Jet P Series

Always Waving. Always Fun.





**BRINGING JOY TO EVERY FAMILY**  
Swim Jet P Series

# FLOW STRONGER, LIVE LIGHTER



### InverTurbo Tech

Delivers class-leading water flow up to 240m<sup>3</sup>/h for an intense and exhilarating waving experience.



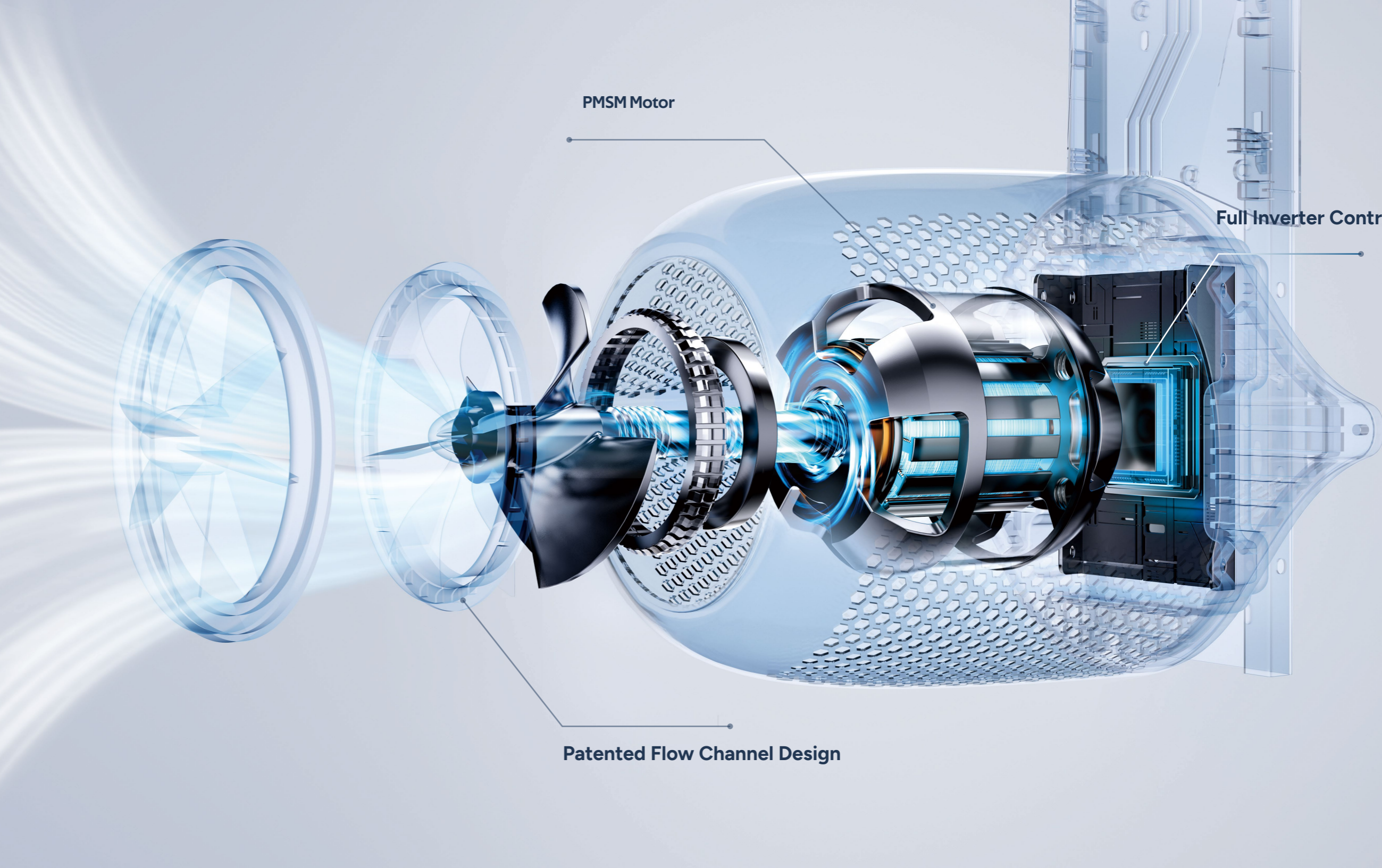
### PMSM Motor

Next-gen permanent magnet motor with up to 1250W output, offering higher efficiency and smoother performance than traditional motors.



### Patented Flow Channel – Designed for Speed

Innovative internal flow design boosts water velocity to 4.2m/s, reducing drag and maximizing propulsion.





# WIDER WAVE AREA

Ready for Family Joy

Inspired by jet-engine design, our Ramjet-Profile nozzle and smart fluid dynamics create a powerful, fan-shaped current—offering up to twice the wave coverage of standard swim jets.

## FIVE WAVING MODES

From Training to Play,  
Always Just Right.

Our Inverter Drive seamlessly adjusts current strength to match your rhythm — with 5 finely tuned wave modes for everything from calm recovery to full-body resistance and playful family moments.





# EASY INSTALLATION

## Designed For Various Pool Setups

### **Plug & Play**

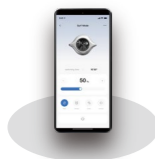
Whether you're a DIY enthusiast or prefer professional support, installation is effortless. Our turnkey deck-drilling solution is ready to use out of the box — simple, clean, and reliable.

### **Deck-Friendly Mount (Optional)**

Designed to preserve the pool deck, all screws are secured directly into the mounting plate, leaving your deck in its original condition.



# INTUITIVE REMOTE CONTROL



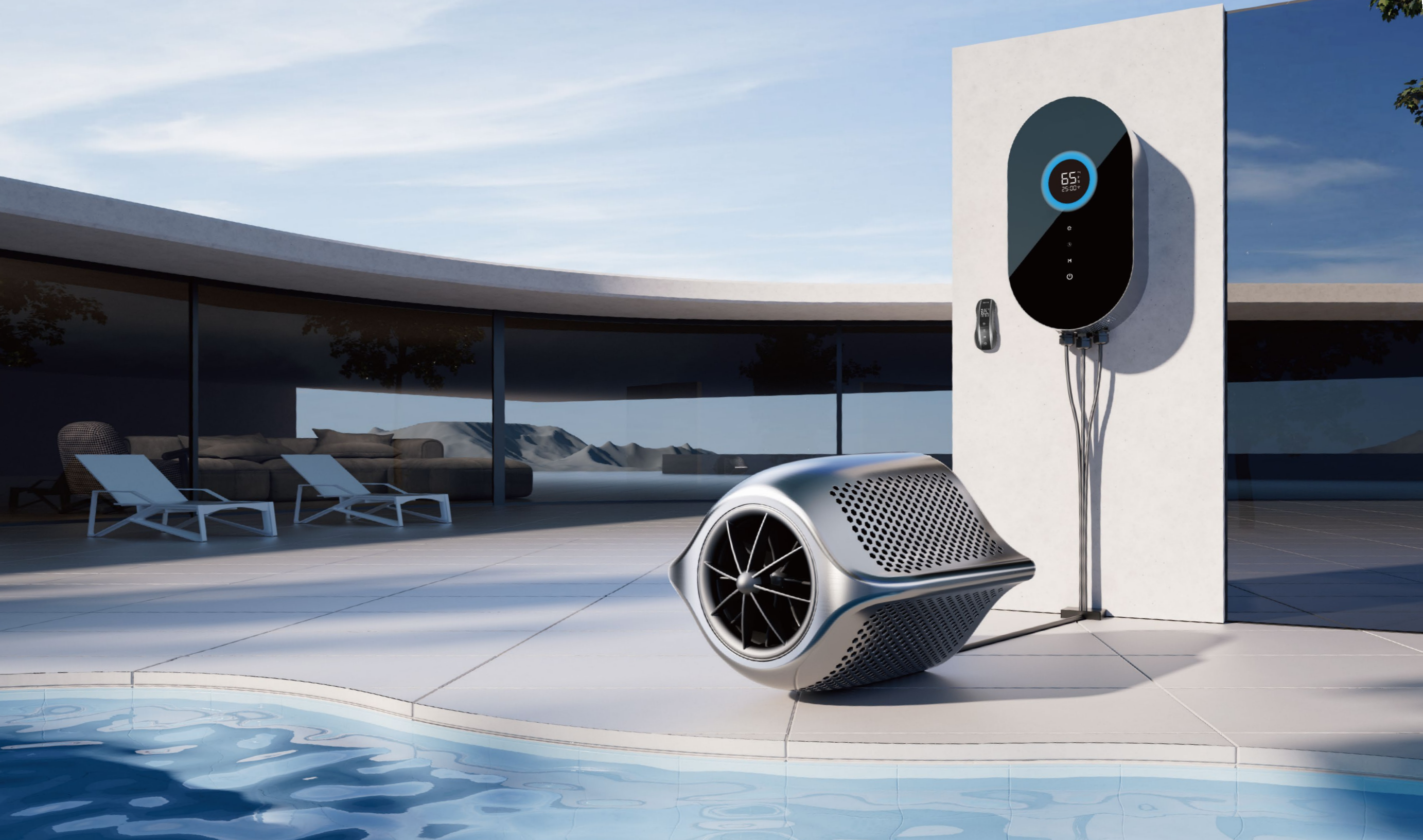
**Mobile App Control**  
Touch,tap,full touchscreen interface for poolside elegance



**Remote Control**  
Bluetooth remote for spontaneous joy

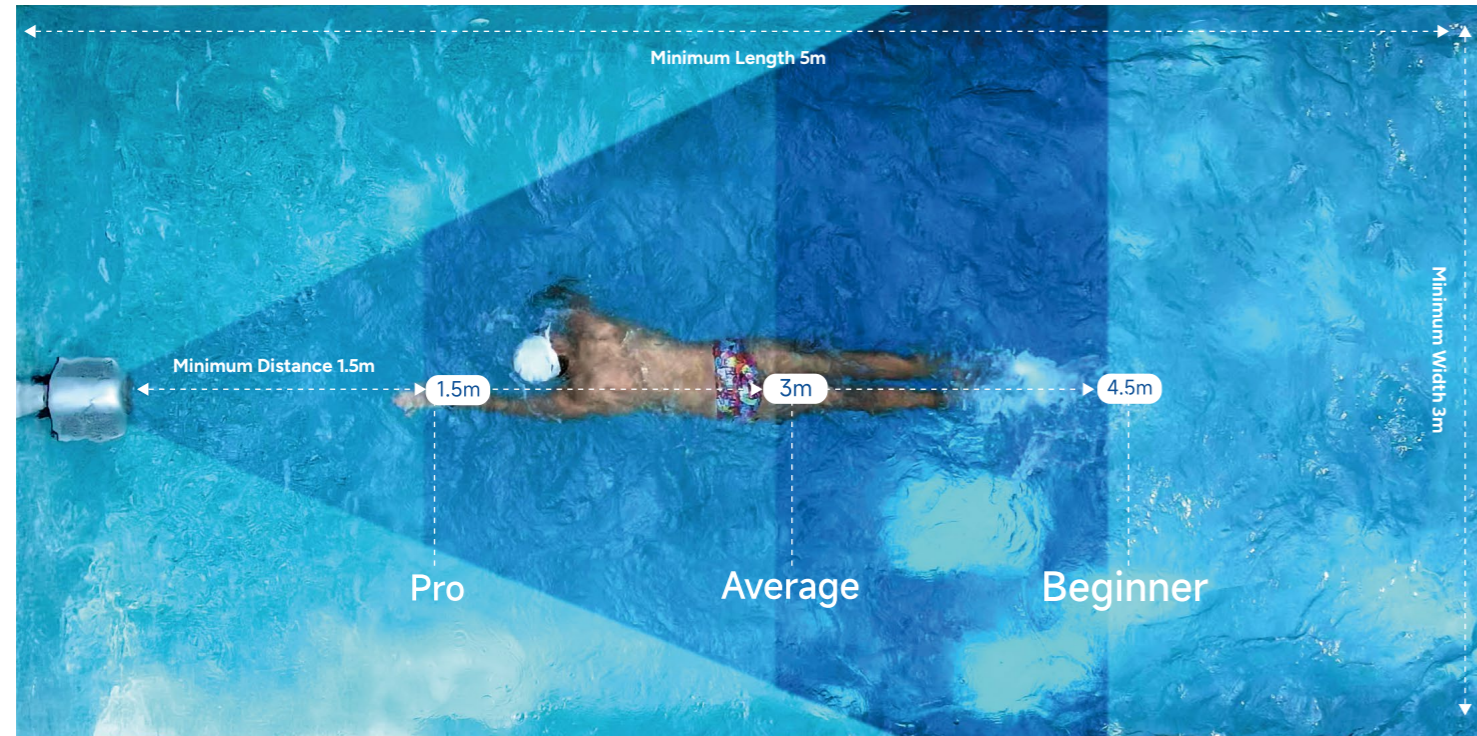


**Touchscreen Panel Control**  
App-enabled for flexible operation



# FIND YOUR PERFECT FLOW

Ideal for all-size pool from 5\*3m



## 5 SWIMMING TRAINING MODES

Mode	P1(Beginner)	P2(Intermediate)	P3(Advanced)	P4(Endurance)	P5(Surfing)
Inverter Speed	20%~35%	45%~70%	70%~85%	45%~65%	30%~100%
Water Flow Rate(m <sup>3</sup> /h)	48-84	108-168	168-204	108-156	72-240

\*The following water flow rate data is based on the P240 model as an example.

## JET

Model	Operating Voltage (V)	Max Flow Rate (m <sup>3</sup> /h)	Max Flow Speed (m/s)	Dimension	IP Rating	Operating Water Temp(°C)	Ambient Temp (°C)
P100	12	100	2.4	(L) 364mm (M) 356mm (H) 281mm	IP68	5-40	0-43
P160		160	2.9				
P200		200	3.5				
P240		240	4.2				

## CONTROLLER

Model	Power (KW)	Supply Voltage(V/Hz)	IP Rating	Dimension	External Control
P100	0.4	220-240V 50/60Hz	IP45	(L) 441.4mm (M) 245mm (H) 119.5mm	Remote/ WIFI/ RS485
P160	0.6				
P200	0.9				
P240	1.25				

## OVERALL DIMENSION

